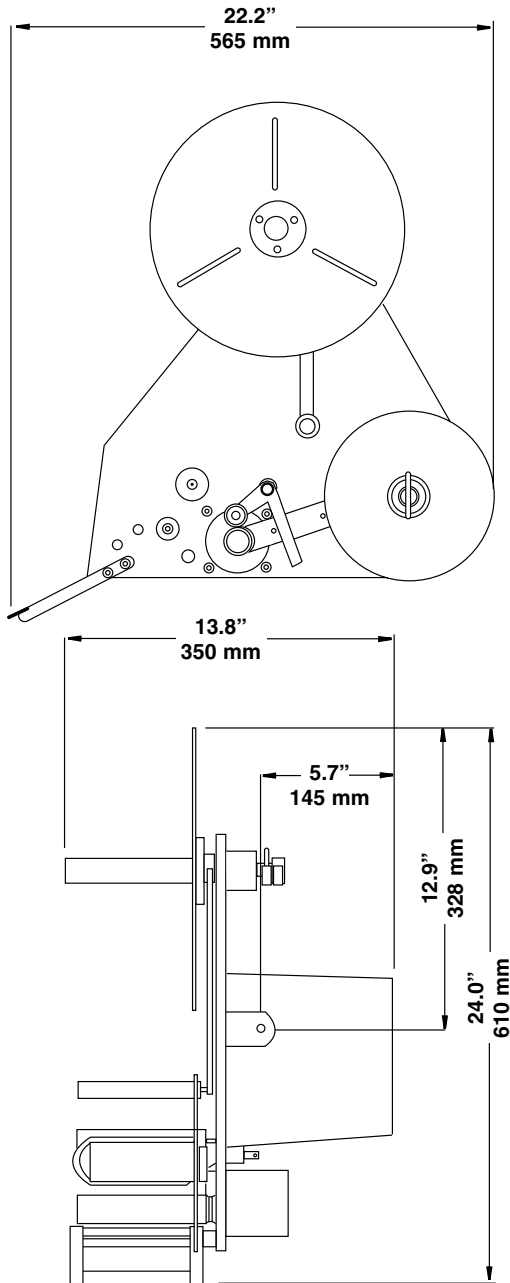


We Build Confidence...

Specifications



Left-hand orientation shown

Standard Features:

Direction: left or right-hand
Accuracy: better than $\pm 0.04"$ (1mm)
Speed range: 6.6 feet to 98.4 feet/min. (2 m to 30 m/min.) variable
Unwind capacity: 11.8" (300 mm) diameter (15.7" / 400 mm optional)
Touch screen display with language-independent icons
Setup functions for: web speed, label stop, label sensitivity, product delay and coder dwell
10 memory storage locations
3" (76 mm) core diameter

Standard Inputs:

Product detector
Shaft encoder

Standard Outputs:

Lamp stack
Tamp/blow
Alarm
Air assist

Options:

Mounting stand
Product detector
Blow module
Shaft encoder
Alarm stack
Tamp module

Electrical Requirements:

230 or 110 VAC 50 - 60Hz
250VA

Weight:

50.8 lbs (23 kg)

Environment:

32° to 113°F (0° to 45°C)

Approvals:

CE TÜV

© 2004 Videojet Technologies Inc. - All rights reserved. Videojet Technologies Inc.'s policy is one of continued product improvement. We reserve the right to alter design and/or specifications without notice. Accu-Sort is a registered trademark of Accu-Sort Systems, Inc. Videojet is a registered trademark and Broadcast System is a trademark of Videojet Technologies Inc.



800-843-3610 • www.videojet.com • info@videojet.com

Videojet Technologies Inc. • 1500 Mittel Boulevard
Wood Dale IL • 60191-1073 • USA
Phone: 630-860-7300 • Fax: 630-616-3623

Part No. SL000403
Broadcast-0704-US
Printed in U.S.A.